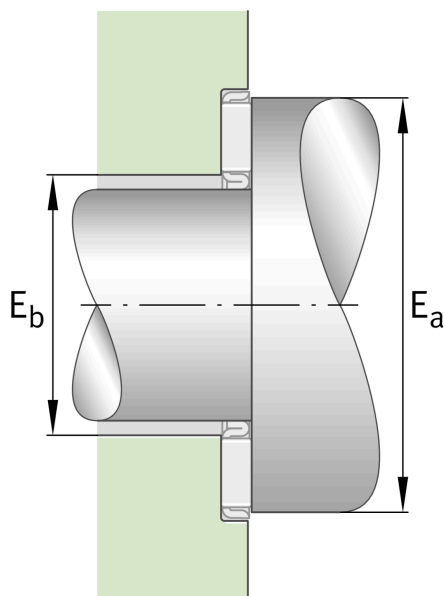
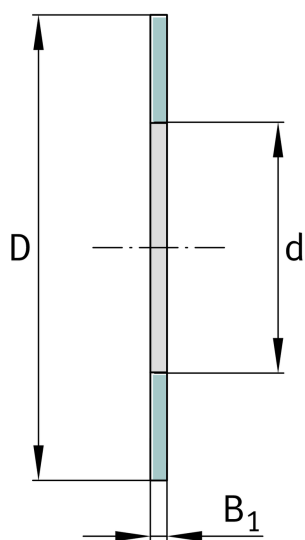
**AS130170**

Axial bearing washer

Schaeffler ID:  
0000198520000Axial bearing washers, suitable for AXK  
and K811, to DIN 5405-3/ISO 303

## Technical information

**Main Dimensions & Performance Data**

d	130 mm	Bore diameter bearing washer
D	170 mm	Outside diameter bearing washer
B <sub>1</sub>	1 mm	Height bearing washer
	69.3 g	Weight